

Publication number : 2001-209052

Date of publication of application : 03.08.2001

-----  
Int.Cl. G02F 1/1339 G02F 1/139  
-----

5 Application number : 2000-014545

Applicant : MATSUSHITA ELECTRIC IND CO LTD

Date of filing : 24.01.2000

Inventor : MOCHIZUKI HIDEAKI  
-----

10 LIQUID CRYSTAL DISPLAY DEVICE AND METHOD FOR MANUFACTURING THE  
SAME

[Abstract]

15 PROBLEM TO BE SOLVED: To provide a method for manufacturing a liquid  
crystal display device with high displaying precision irrespective of reduction of  
rubbing aligning treatment steps for the purpose of solving the problem resulting  
from the nonuniform rubbing aligning treatment.

20 SOLUTION: The method is provided with a step to form an alignment film 32 on  
the side of the first substrate 36 and subsequently to treat it with rubbing aligning,  
a step to form a spacer pattern 43 on the side of the second substrate 35, a step  
to form an alignment film 31 without the rubbing aligning treatment and a step to  
inject a liquid crystal 30 to which a chiral material is added to make the helical  
pitch  $p$  satisfy the relation  $p=(360/\theta) \times d$  (provided that  $\theta$  expresses the twist  
25 angle of the liquid crystal molecules).



**[Claims]**

**[Claim 1]**

A liquid crystal display (LCD) device in which liquid crystals are filled between opposing first and second substrates and a cell thickness  $d$  between the first and second substrates is formed by a spacer pattern,

wherein an alignment layer that is rub-aligned is formed on the first substrate,

wherein the spacer pattern is formed to have the cell thickness  $d$  on the second substrate and an alignment layer that is not rub-aligned is formed on the second substrate, and

wherein a chiral material is added to the liquid crystals such that a spiral pitch  $p$  satisfies a relationship  $p=(360/\theta) \times d$ , in which  $\theta$  indicates a twist angle of molecules of the liquid crystals.

**[Claim 2]**

A method for manufacturing a liquid crystal display (LCD) device in which liquid crystals are filled between opposing first and second substrates and a cell thickness  $d$  between the first and second substrates is formed by a spacer pattern, the method comprising the steps of:

forming an alignment layer on the first substrate and rub-aligning the formed alignment layer;

forming a spacer pattern on the second substrate;

forming an alignment layer that is not subjected to rubbing alignment on the second substrate; and

injecting the liquid crystals to which a chiral material is added such that a spiral pitch  $p$  satisfies a relationship of  $p = (360/\theta) \times d$ , in which  $\theta$  indicates a twist angle of molecules of the liquid crystals.

**[Title of the Invention]**

**LIQUID CRYSTAL DISPLAY DEVICE AND METHOD FOR MANUFACTURING  
THE SAME**

5 **[Detailed Description of the Invention]**

**[Field of the Invention]**

The present invention relates to a liquid crystal display (LCD) device and a method for manufacturing the same, in which a cell thickness is formed by a spacer pattern having a predetermined thickness.

10

**[Description of the Prior Art]**

As methods for driving a liquid crystal device (LCD) using the optical anisotropy of a liquid crystal, there are an active matrix driving method in which a liquid crystal panel is driven by an active device such as a thin film transistor (TFT) or a two terminal device and a simple matrix driving method in which striped transparent electrodes on opposing substrates are arranged orthogonally to each other and liquid crystal molecules in the cross area of the transparent electrodes are driven without using an active device. The active matrix driving method mainly employs a twisted nematic (TN) liquid crystal panel in which liquid crystal molecules are twisted 90° between opposing substrates. The simple matrix driving method usually employs a super twisted nematic (STN) liquid crystal panel in which liquid crystal molecules are twisted 180° - 270° between opposing substrates.

It has been known that a response speed, a contrast, and a viewing angle depend on the thickness of a liquid crystal layer (hereinafter, referred to as "a cell

25

thickness or a gap”) in various liquid crystal panels. In particular, to obtain a high contrast, the cell thickness should be controlled finely. For example, in a liquid crystal panel driven by the active matrix driving method, a liquid crystal is filled between a first substrate and a second substrate, but the cell thickness is determined by a spacer. A method for manufacturing a liquid crystal panel generally involves coating an alignment layer onto opposing substrates, performing rubbing alignment on the alignment layer, coating a sealant onto one of the opposing substrates, coating a spacer onto the other substrate, and bonding the two substrates together. To inject a liquid crystal between opposing substrates, the liquid crystal may be injected after the substrates are bonded together or the substrates may be bonded together after the liquid crystal is dropped onto the substrate(s). Glass substrates are usually used as the opposing substrates. However, as the portability of information devices becomes more important, a display device using an organic high polymer material (plastic) is being put to practical use for the lightweightness of the display device. If a substrate is made of plastic, the uniformity of image quality is degraded.

Rod-shaped glass fibers or spherical plastic grains are used as a material of the spacer. The spacer is generally distributed in an arbitrary position of a substrate by scattering particles of the spacer from above the substrate. However, in such a spacer distributing method, the non-uniformity in spacer particle scattering or gap non-uniformity is generated due to the following causes. In other words, since the particles of the spacer are condensed by static electricity and a spacer distribution fluid used in scattering the particles of the spacer drops onto the substrate, distribution of the particles of the spacer on the substrate and the size of the particles of the spacer become non-uniform. In

addition, since there is an uneven portion due to a TFT or an electric line patterned on the substrate surface, gap non-uniformity is generated according to a position where the particles of the spacer are scattered even when the same-size particles are used.

5           To solve such a problem, there has been suggested a liquid crystal panel that forms a gap between substrates using an offset printing method. In this liquid crystal panel, unlike the conventional spacer distributing method, a gap is formed between substrates by directly forming a spacer pattern having a predetermined thickness in a predetermined position of a substrate without using  
10 particles of a spacer. In a liquid crystal panel driven by the active matrix driving method, a spacer pattern is formed to a cell thickness on the surface of a transparent electrode on one of substrates having a pair of transparent electrodes and an alignment layer that is subjected to rubbing alignment is formed on the substrate. In addition, an alignment layer is coated onto the other  
15 substrate where the spacer pattern is not formed and the alignment layer is then rubbing-aligned. Since the alignment layer on the surface of the substrate is rubbing-aligned such that a rubbing direction of the alignment layer is at 90°, a filled liquid crystal is aligned in the rubbing direction in an interface between the alignment layers due to anchoring force of the alignment layers and the  
20 molecules of the liquid crystal are twisted 90°. Moreover, since the liquid crystal is aligned along a single axis direction in the interface between the alignment layers, a uniform free tilt angle is generated.

**[Problem(s) to be Solved by the Invention]**

However, in a spacer pattern formation method, since rubbing alignment is performed after a spacer pattern is formed on an electrode, sufficient rubbing alignment cannot be performed on a shady portion of a step of the spacer pattern, causing a difficulty in obtaining uniform and flawless alignment of molecules of a liquid crystal. In other words, the liquid crystal is aligned along rubbing directions, but anchoring force of alignment layers with respect to the molecules of the liquid crystal does not affect a portion where the alignment layer is not rubbed, resulting in alignment defect. A plurality of areas having different alignment exists in an area where alignment is insufficiently performed. At a boundary between areas, discrimination where alignment of the molecules of the liquid crystal is discontinuous occurs and light leakage also occurs. In other words, the entire surface of an area where alignment is sufficiently performed darkens at an intermediate voltage level under the same alignment condition, but light leakage partially occurs or the non-uniformity of contrast where a dark portion and a light portion exist adjacent to each other occurs in an area where alignment is insufficiently performed.

To address such a rubbing non-uniformity problem, it is suggested that predetermined slopes are formed on side walls of the step of the spacer pattern (see Japanese Patent Laid-Open Publication No. Hei 06-273735). In this case, rubbing alignment can be performed on the shady portion of the step of the spacer pattern owing to the slopes, but an additional process of forming the slopes on the side walls of the spacer pattern is required and the angle of the slopes should be smaller than a predetermined angle. Thus, a high precision control is essential. Moreover, once the slopes are formed on the side walls of



the spacer pattern, an area where the spacer pattern contacts substrates decreases and a gap between the substrates may not be sufficiently secured.

In addition, if alignment is performed through rubbing, static electricity is generated due to friction and insulation may be destroyed in alignment layers or display defect may occur due to alignment defect in the alignment layers. When using rubbing alignment, since molecules of a liquid crystal are aligned in the same direction, viewing angle dependency occurs, in which observes view only a limited region of a display on a screen within a predetermined angle range.

Therefore, a first object of the present invention is to provide an LCD device which forms a cell thickness between substrates using a spacer pattern to solve a display non-uniformity problem caused by the non-uniformity of rubbing alignment and improve uniformity of an LCD. A second object of the present invention is to provide a method for manufacturing an LCD device, which reduces a process for rubbing alignment while providing a high-precision display to solve a problem caused by the non-uniformity of rubbing alignment.

#### **[Means for Solving the Problem]**

To solve the foregoing problems, the present invention provides a liquid crystal display (LCD) device in which a liquid crystal is filled between opposing first and second substrates and a cell thickness  $d$  between the first and second substrates is formed by a spacer pattern. An alignment layer that is rubbing-aligned is formed on the first substrate. The spacer pattern is formed to the cell thickness  $d$  on the second substrate and an alignment layer that is not rubbing-aligned is formed on the second substrate. A chiral material is added to the

liquid crystal such that a spiral pitch  $p$  satisfies a relationship  $p=(360/\theta) \times d$  (in which  $\theta$  indicates a twist angle of molecules of the liquid crystal).

According to the present invention, by adding the chiral material to the liquid crystal such that the spiral pitch  $p$  satisfies the relationship  $p=(360/\theta) \times d$ ,  
5 the molecules of the liquid crystal can be properly twisted without depending on anchoring force of the alignment layer of the second substrate. In addition, the alignment layer that is rubbing-aligned is formed on the first substrate where the spacer pattern is not formed and molecules of the liquid crystal can be aligned in a single axis direction in an interface of the alignment layer. Since the alignment  
10 layer that is not subjected to rubbing-alignment is formed on the second substrate where the spacer pattern is formed, rubbing non-uniformity caused by the non-uniformity of the thickness of the spacer pattern does not occur in the second substrate.

The present invention also provides a method for manufacturing a liquid  
15 crystal display (LCD) device in which a liquid crystal is filled between opposing first and second substrates and a cell thickness  $d$  between the first and second substrates is formed by a spacer pattern. The method includes the steps of forming an alignment layer on the first substrate and rubbing-aligning the formed alignment layer, forming a spacer pattern on the second substrate, forming an  
20 alignment layer that is not subjected to rubbing alignment on the second substrate, and injecting the liquid crystal to which a chiral material is added such that a spiral pitch  $p$  satisfies a relationship  $p=(360/\theta) \times d$  (in which  $\theta$  indicates a twist angle of molecules of the liquid crystal).

According to the method, since the alignment layer is formed on the spacer  
25 pattern of the second substrate but the alignment layer is not rubbing-aligned, it

is not necessary to perform rubbing-alignment in the second substrate. Thus, rubbing non-uniformity does not occur. Since the rubbing-aligned alignment layer is formed on the first substrate where the spacer pattern is not formed, the molecules of the liquid crystal can be aligned in a single axis direction in an interface of the alignment layer. In addition, by injecting the liquid crystal to which the chiral material is added such that the spiral pitch  $p$  satisfies the relationship  $p=(360/\lambda) \times d$ , the molecules of the liquid crystal can be properly twisted without rubbing-aligning the alignment layer of the second substrate.

10 **[Embodiment of the Invention]**

Hereinafter, embodiments of the present invention will be described in detail with reference to accompanying drawings.

(A configuration of an LCD device according to a first embodiment of the present invention)

15 In an LCD device according to the first embodiment of the present invention, the present invention is applied to an LCD device driven by an active matrix driving method using a TFT. As shown in FIGS. 1 through 3, a TFT 42, a pixel electrode 34, and an alignment layer 32 are formed on a first substrate 36 and a spacer pattern 43 is formed on a counter electrode 31 on a second substrate 35. A liquid crystal 30 is filled between the first substrate 36 and the second substrate 35, and polarizers 37 and 38 are disposed in the outer sides of the first substrate 36 and the second substrate 35.

25 The first substrate 36 has a size of 253mm x 190mm. As shown in FIG. 2, the TFT 42, electrode wiring (not shown) of a source, a drain, and a gate of the TFT 42, and the pixel electrode 34 are arranged on the first substrate 36. The

pixel electrode 34 is a transparent electrode using inzium-tartar oxide (hereinafter, referred to as an ITO) thin film, and switching of an electric field in the pixel electrode 34 is controlled by the TFT 42 formed for each pixel. There are 600 pixel pitches of 300 micron in a row direction and 2400 pixel pitches of 100 micron in a column direction. The size of a space between pixels is 15 micron × 15 micron.

The alignment layer 32 uses optimer AL1254 from Japan Synthetic Rubber Co., Ltd. as polyimide. The alignment layer 32 comes to have a thickness of 50nm after being heated and dried at 200°C for 1 hour. Alignment is performed using conventional rotation rubbing. By performing rubbing alignment on the alignment layer 32, molecules of the liquid crystal 30 can be aligned along a single axis direction in an interface of the alignment layer 32. In addition, by aligning the molecules of the liquid crystal 30 along a single axis direction, a free tilt angle can be generated in a predetermined direction in the alignment layer 32.

The second substrate 35 has a size of 248mm × 187 mm, a non-patterned ITO 33 is formed on the entire surface of the second substrate 35. The spacer pattern 43 using block photosensitive polyimide material having a thickness of 5.1µm is formed on the ITO 33. The liquid crystal 30 is filled between the first substrate 36 and the second substrate 35, thus to form a gap (cell thickness d) between the first substrate 36 and the second substrate 35. Glass is used for the first substrate 36 and the second substrate 35.

As shown in FIG. 2, the spacer pattern 43 has a thickness of 5.1µm over the entire remaining area except for a portion corresponding to the pixel electrode 34. By forming the spacer pattern 43 in the form of a square except for a portion corresponding to the pixel electrode 34 to open only the portion corresponding to

the pixel electrode, it is possible to prevent the non-uniformity of luminance that may occur due to blocking of irradiated light by the spacer pattern 43. Since rubbing alignment is not performed, if a spacer is formed using a conventional spacer pattern, it is possible to accurately control the position of the spacer and  
5 constantly control the height of the spacer in consideration of an uneven portion on a substrate.

Black photosensitive polyimide is used as a material for the spacer pattern 43. It is desirable to use a black material in that the black material has the effect of a block matrix that prevents light leakage occurring in other areas than the  
10 pixel electrode 34. Light leakage or light blocking by the spacer does not occur, and thus contrast or transmissibility as a liquid crystal panel can be improved. The spacer pattern 43 may be formed using a combination of polyimide and polyurethane. However, the material for the spacer pattern 43 may be any material that is not reactive with the liquid crystal 30 or the alignment layer 32 and  
15 can form the cell thickness  $d$  between the first substrate 36 and the second substrate 35.

The spacer pattern 43 is not necessarily formed over the entire remaining area except for the portion corresponding to the pixel electrode 34, but may be formed in a portion of the entire remaining area except for the portion  
20 corresponding to the pixel electrode 34. However, it is more desirable to form the spacer pattern 43 over the entire remaining area than to form the spacer pattern 43 in a portion of the entire remaining area. This is because a gap between the first substrate 36 and the second substrate 35 can be more certainly formed and light leakage from other areas than the pixel electrode 34 can be prevented over a  
25 wider range by using a black resin material for the spacer pattern 43.

An alignment layer 31 is formed on the surface of the second substrate 35 on which the spacer pattern 43 is formed. The alignment layer 31 has a thickness of 20nm and is formed by coating a diluted solution (solid content 2%) of optimer AL1254 in which urethane resin MS-5510 (its glass transfer temperature  $T_g = 63^\circ\text{C}$  from Mitsubishi Heavy Industries Ltd.) of 10% by weight is mixed. The alignment layer 31 is not rubbing-aligned to solve a rubbing non-uniformity problem caused by the thickness of the spacer pattern 43. In addition, once rubbing alignment is performed, static electricity is generated and thus isolation is destroyed in the alignment layer 31. However, according to the present invention, since rubbing alignment is not necessary, such an isolation destruction problem does not occur.

Polyurethane is included in the alignment layers 31 and 32 to rearrange molecules of the liquid crystal 30 in an alignment direction for the purpose of solving a display non-uniformity problem resulting from flowing alignment. In other words, since the alignment layer 31 is not rubbed, once the liquid crystal 30 is injected between the alignment layers 31 and 32, the molecules of the liquid crystal 30 are aligned on the surfaces of the alignment layers 31 and 32 in a direction the liquid crystal 30 flows after being injected. Such a phenomenon is called flowing alignment, causing display non-uniformity. To solve display non-uniformity, the molecules of the liquid crystal 30 which are flowing-aligned should be re-aligned along a single axis direction. However, once aligned, the molecules of the liquid crystal 30 are strongly attached to molecules of the alignment layers 31 and 32 in the interface between the alignment layers 31 and 32. Thus, the molecules of the liquid crystal 30 strongly attached to the molecules of the alignment layers 31 and 32 should be released, but it is effective to activate thermal motions of both the molecules of the alignment layers 31 and

32 and the molecules of the liquid crystal 30. Thermal motions of the molecules of the alignment layers 31 and 32 become active at a temperature higher than the glass transfer temperature of polyurethane. Thermal motions of the molecules of the liquid crystal 30 become active at a temperature higher than a nematic-isotropic transfer temperature of the liquid crystal 30. Thus, the alignment layers 31 and 32 including polyurethane are used and a liquid crystal panel is heated for a predetermined amount of time at a temperature higher than the glass transfer temperature of polyurethane and the nematic-isotropic transfer temperature after the first and second substrates 36 and 35 are bonded. Then, motions of the liquid crystal 30 and the alignment layers 31 and 32 become active in an interface between the liquid crystal and the alignment layers 31 and 32 and motions of the molecules of the liquid crystal 30 attached to molecules of the alignment layers 31 and 32 become active. Thereafter, once a temperature is dropped, in a state where the liquid crystal 30 is fixed on the alignment layer 32 that is rubbed in a controlled alignment direction, the molecules of the liquid crystal 30 are rearranged and uniform alignment over the entire surface can be achieved. In addition, through such a process, a free tilt angle of the molecules of the liquid crystal 30 changes into an average free tilt angle over the entire surfaces of the first and second substrates 36 and 35. In particular, the alignment layer 31 is not rubbing-aligned on the second substrate 36 and a free tilt angle is easy to change because the molecules of the liquid crystal 30 may be easily scattered in the alignment direction in an interface of the alignment layer 3. Thus, such a process is useful (see Japanese Patent Laid-Open Publication No. Hei9-244030). Thus, polyurethane is included in the alignment layers 31 and 32 according to the first embodiment of the present invention.

The first and second substrates 36 and 35 are bonded by a sealant 51 and the liquid crystal 30 is injected between the first and second substrates 36 and 35. The sealant 51 is made of ultraviolet hardening resin in which a glass bead of 1% weight having a diameter of 5.1 $\mu$ m is mixed. The sealant 51 is coated in a rectangular form of 246mm  $\times$  185mm over a neighboring area of the second substrate 35 using a dispenser. In addition, the polarizers 37 and 38 that only pass a light vibrated in a single axis direction and irradiate a light on a display screen are installed on the first substrate 36 and the second substrate 35.

The liquid crystal 30 has a positive refractive index isotropy  $\Delta n$  and  $\Delta n$  is 0.98. A twist angle  $\theta$  of the molecules of the liquid crystal 30 is 90°, and a mixed liquid crystal composition 30 in which a chiral liquid crystal is mixed to make a spiral pitch of the liquid crystal 30 equal to 20 $\mu$ m ( $p=(360/\theta) \times d$ ) is used. In other words, a chiral material is added to the liquid crystal 30 such that the spiral pitch  $p$  satisfies a relationship  $p=(360/\theta) \times d$ . In the first embodiment of the present invention, the mixed liquid crystal composition 30 is made by adding CB-15 from BDH Company of 0.33% by weight to the liquid crystal. The molecules of the liquid crystal do not depend on liquid crystal anchoring force of the alignment layer 31 and are properly twisted. More specifically, when the liquid crystal is not mixed with a chiral liquid crystal, the molecules of the liquid crystal are properly twisted and thus the alignment layer 31 should be rubbed in a predetermined direction. However, in the present invention, since the mixed liquid crystal composition mixed with the chiral liquid crystal is used, the molecules of the liquid crystal are properly twisted without rubbing-aligning the alignment layer 31 of the first substrate 26.



At this time, the spacer pattern 43 is formed on the first substrate 36 and the alignment layer 31 that is not rubbing-aligned is formed on the first substrate 36. The alignment layer 32 that is rubbing-aligned may be formed on the second substrate 35. In this case, the alignment layer 31 is formed on the remaining area of the first substrate 36 except for an area where the pixel electrode 34 is formed. Thus, since the TFT 42 and electrode lines are formed on the second substrate 36, the alignment layers 31 and 32 are not affected by static electricity and a viewing angle dependency problem can be solved.

(Method for manufacturing an LCD device according to the first embodiment of the present invention)

Hereinafter, a method for manufacturing an LCD device according to the first embodiment of the present invention will be described.

As shown in FIG. 2, after the TFT 42, the electrode wiring, and the pixel electrode 34 are formed, the alignment layer 32 is printed and coated over the surface of the pixel electrode 34 to have a thickness of 50nm after being dried and is then heated and dried at 200°C for 1 hour. An alignment material of the alignment layer 32 is polyimide that is optimer AL1254 from Japan Synthetic Rubber Co., Ltd. After being dried, the alignment layer 32 is aligned through general rotation rubbing.

An ITO beta electrode 33 that is not patterned is formed on the entire surface of the second substrate 35, and the spacer pattern 43 is formed to have a thickness of 5.1μm using black photosensitive polyimide. The spacer pattern 43 is obtained by patterning a black resin layer. Ultraviolet rays are irradiated to the second substrate 35 using a mask in which only a portion corresponding to the pixel electrode 34 of FIG. 2 is opened and the second substrate 35 is then

developed. The spacer pattern 43 is formed in the form of a square in the remaining area except for a portion corresponding to the pixel electrode 34 by removing photosensitive polyimide that is not hardened. The form of the spacer pattern 43 is not limited to a square, but a gap may be formed between the first substrate 36 and the second substrate 35. In addition, it is preferable that the form of the spacer pattern 43 does not block an irradiated light by hiding the pixel electrode 23. Thus, unlike in Japanese Patent Laid-Open Publication No. Hei 6-273735, a process for forming predetermined slopes in side walls of the spacer pattern 43 is not required to prevent rubbing non-uniformity.

Next, a diluted solution (solid content 2%) of optimer AL1254 in which urethane resin MS-5510 (its glass transfer temperature  $T_g = 63^\circ\text{C}$  from Mitsubishi Heavy Industries Ltd.) of 10% by weight is mixed is coated over the second substrate 35 and the alignment layer 31 having a thickness of 20nm is formed. The alignment layer 31 is not rubbing-aligned. Since the alignment layer 31 is not rubbing-aligned, conventional rubbing non-uniformity does not occur and a rubbing alignment process can be reduced. The sealant 51 is coated over a neighboring area of the second substrate 35 such that the width of sealing is 0.5 mm.

A twist angle  $\theta$  of the molecules of the liquid crystal 30 is  $90^\circ$ . A chiral liquid crystal is mixed to make a spiral pitch of the liquid crystal 30 equal to  $20\mu\text{m}(p=(360/\theta) \times d)$ , thereby manufacturing the mixed liquid crystal composition 30 (in which  $\theta$  indicates a twist angle of the molecules of the liquid crystal 30). In the first embodiment of the present invention, CB-15 of 0.33% by weight from BDH Company is added to the liquid crystal to compose the mixed liquid crystal composition 30. In addition, the liquid crystal has a positive refractive index

isotropy  $\Delta n$  and  $\Delta n$  is 0.98. Thereafter, a required amount of the mixed liquid crystal composition 30 is dropped on the second substrate 36 and the first substrate 36 and the second substrate 35 are bonded together in a decompression state (100 pascal). In the first embodiment of the present invention, since the spacer pattern 43 is formed over the remaining area except for a portion corresponding to the pixel electrode 34, the spacer pattern 43 is formed in the form of a square to space apart portions of the pixel electrode 34 as shown in FIG. 2. Thus, for example, according to a method in which a liquid crystal is injected from a liquid crystal injection port after the first substrate 36 and the second substrate 35 are bonded together, the liquid crystal 30 cannot be injected into pixel portions separated from the liquid crystal injection port by the spacer pattern 43. To inject the liquid crystal 30 uniformly on the pixel portions, the first substrate 36 and the second substrate 35 should be bonded together after the liquid crystal 30 is dropped on the second substrate 36 as in the first embodiment of the present invention. In this case, the spacer pattern 43 is formed in the form of a square to separate pixels, but the liquid crystal 30 can spread to each pixel without any gap by bonding the first substrate 36 and the second substrate 35 after the liquid crystal 30 is dropped. Moreover, unlike vacuum injection, non-uniformity does not occur in a neighboring area of the liquid crystal injection port. After the liquid crystal 30 is filled between the first substrate 36 and the second substrate 35, the circumference of the first substrate 36 and the second substrate 35 is sealed with ultraviolet hardening resin.

The present invention is not limited to above-described liquid crystal injection, but any method for injecting the liquid crystal 30 uniformly between the first substrate 36 and the second substrate 35 can be used. Thus, when there is

no portion that is separated by the spacer pattern 43 like when the spacer pattern 43 is formed in a partial area except for a portion corresponding to the pixel electrode 34, an area may be reserved for a general liquid crystal injection port, the first substrate 36 and the second substrate 35 may be bonded together, and  
5 then the liquid crystal 30 may be injected (vacuum injection).

The liquid crystal panel manufactured by the above-described process is heated and left at 120°C for 12 hours, thereby achieving superior alignment of the molecules of the mixed liquid crystal composition 30. Here, the alignment layers 31 and 32 are composed of polyimide resin including polyurethane as at least one  
10 element, and the liquid crystal panel is heated at a temperature higher than the glass transfer temperature  $T_g$  of polyurethane and the nematic-isotropic transfer glass temperature of the liquid crystal after the liquid crystal is attached to the first substrate 36 and the second substrate 35, so as to re-arrange the molecules of the liquid crystal along the alignment directions. Once the liquid crystal is  
15 injected between the alignment layer 31 that is not rubbed and the alignment layer 32, the molecules of the liquid crystal 30 are aligned on the surfaces of the alignment layers 31 and 32 in a direction the liquid crystal 30 flows after being injected (flowing alignment). To solve display non-uniformity, the molecules of the liquid crystal which are flowing-aligned should be re-aligned in a single axis  
20 direction. However, once aligned, the molecules of the liquid crystal are strongly attached to molecules of the alignment layers 31 and 32 in the interface between the alignment layers 31 and 32. To release the molecules of the liquid crystal, which are strongly attached to the alignment layers 31 and 32, it is effective to activate thermal motions of both the molecules of the alignment layers 31 and 32  
25 and the molecules of the liquid crystal 30. Thermal motions of the molecules of

the alignment layers 31 and 32 become active at a temperature higher than the glass transfer temperature of polyurethane. Thermal motions of the molecules of the liquid crystal 30 become active at a temperature higher than a nematic-isotropic transfer temperature of the liquid crystal 30. Thus, the alignment layers 31 and 32 including polyurethane are used. Once the liquid crystal panel is heated for a predetermined amount of time at a temperature higher than the glass transfer temperature of polyurethane or the nematic-isotropic transfer temperature of the liquid crystal, motions of the molecules of the liquid crystal and the molecules of the alignment layers 31 and 32 become active in an interface between the liquid crystal and the alignment layers 31 and 32 and motions of the molecules of the liquid crystal attached to the alignment layers 31 and 32 become active. Once a temperature is dropped, in a state where the liquid crystal 30 is fixed on the alignment layer 32 that is rubbed in a controlled alignment direction, the molecules of the liquid crystal 30 are re-arranged and uniform alignment over the entire surface can be achieved. In addition, through such a process, a free tilt angle of the molecules of the liquid crystal 30 changes into an average free tilt angle over the entire surfaces of the first and second substrates 36 and 35 (see Japanese Patent Laid-Open Publication No. Hei 9-2440303).

Therefore, according to the present invention, since it is not necessary to rubbing-align the alignment layer on the substrate where the spacer pattern 43 is formed, display precision can be improved while reducing a process for rubbing alignment. In addition, unlike Japanese Patent Laid-Open Publication No. 6-273735, it is unnecessary to form a stepped portion (side wall) having a trapezoid form of the spacer pattern 43 at a predetermined angle for uniform rubbing alignment, rubbing non-uniformity can be solved with a simple process.

**(Embodiment 1)**

The following experiment is carried out using the TN (LCD) device. After a TFT-TN LCD module is completed by installing a driver LSI52 in the TN LCD device, a square wave electric signal of 60Hz is input to the TFT-TN LCD module, a diffused light is irradiated from the second substrate 36, and pixels are displayed to measure the characteristics of the pixels. As a result, a contrast ratio measured in a direction perpendicular to the surface of a substrate is a maximum of 100:1. Here, the contrast ratio means a ratio of a luminance value in a white area to a luminance value in a black area in the same display screen. As alignment is better, a luminance value in a block area is smaller, i.e., light shielding becomes better. As a result of observing a display area while a voltage for halftone display is being applied, uniform display is obtained over the entire display screen and luminance non-uniformity caused by rubbing non-uniformity does not occur around the spacer pattern 43.

**(Comparative Example 1)**

Comparative example 1 is a conventional LCD device that requires rubbing alignment. As shown in FIG. 4, an alignment layer 31 is rubbing-aligned in a direction perpendicular to a rubbing direction of an alignment layer 32. In addition, a liquid crystal is composed of a liquid crystal composition 30 aligned by anchoring force of molecules of the liquid crystal of the alignment layer 32 that is rubbing-aligned. However, to keep a twisted direction of molecules of the liquid crystal constant, a small amount (which satisfies  $P=16d$ ) of chiral is added. In this comparative example, chiral of about 0.1% weight is added. Except for such conditions, this comparative example 1 is the same as Embodiment 1. An electric signal is input to the TFT-TN LCD module, a diffused light is irradiated

from a second substrate, and the entire pixels are displayed halftones. As a result, luminance is partially non-uniform. As a result of reflectively observing a dark area in screen display with a microscope, the alignment layer 31 on a substrate where the spacer pattern 43 is formed has many portions that are not rubbed around the spacer pattern 43. Molecules of the liquid crystal are not aligned in a single axis direction and free tilt angle is not generated in a specific direction, in the portions that are not rubbed.

When comparing Embodiment 1 and Comparative example 1, luminance non-uniformity occurs due to rubbing non-uniformity around the spacer pattern 43 in comparative example 1. Such luminance non-uniformity is also caused by using the conventional liquid crystal 30 that is not mixed with chiral. On the other hand, in Embodiment 1, luminance non-uniformity caused by the thickness of the spacer pattern 43 does not occur and superior display precision is obtained.

(A configuration of an LCD device according to a second embodiment of the present invention)

In this embodiment, as shown in FIGS. 4 and 5, the first substrate 63 and the second substrate 61 have the same sizes as those in the first embodiment, respectively. However, the first substrate 63 and the second substrate 61 are composed of polyetersulfon. A transparent column electrode 62 is placed on the surface of the second substrate 61. The transparent column electrode 62 has a width of 0.315mm and a pitch between the transparent column electrodes 62 is 0.33mm. A transparent row electrode 64 is placed on the surface of the first substrate 63. The transparent row electrode 64 has a width of 0.10mm and a pitch between the transparent row electrodes 64 is 0.11mm.

A nematic liquid crystal material 65 that is the same as in the first embodiment is filled between the first substrate 63 and the second substrate 61. A polyimide-type low-temperature heated alignment layer 66 having a thickness of 60nm is formed on the second substrate 61. After being printed and coated and heated at 140°C for 2 hours to be hardened, the alignment layer 66 is rubbing-aligned using a rubbing rayon fabric rolled around a roller. By rubbing-aligning the alignment layer 66, molecules of the liquid crystal can be arranged in a single axis direction in an interface of the alignment layer 66. In addition, since a spacer pattern 80 is not formed in the alignment layer 66, rubbing non-uniformity caused by the thickness of the spacer pattern 80 does not occur.

As shown in FIG. 5, a bank spacer pattern 80 having a height of 5.1 micron and a width of 20 micron is formed on the first substrate 63 to surround an area where the transparent column 62 and the transparent row electrode 64 cross each other. The spacer pattern 80 is made of acryl-group negative black register without being limited thereto as in the first embodiment. Like the first embodiment, a black material is used, the spacer pattern 80 is preferably formed in the remaining area except for the area where the transparent column electrode 62 and the transparent row electrode 64 cross each other, and the spacer pattern 80 may be formed on the second substrate 61.

An alignment layer 67 is formed on the first substrate 63 on which the spacer pattern 80 is formed. The alignment layer 67 has a thickness of 20nm and is formed by coating a diluted solution (solid content 2%) of a polyimide-type low-temperature heated alignment layer in which urethane resin MS-5510 (its glass transfer temperature  $T_g = 63^\circ\text{C}$  from Mitsubishi Heavy Industries Ltd.) of 10% weight is mixed. In addition, the alignment layer 67 does not undergo alignment



such as rubbing alignment. Thus, according to the present invention, like the first embodiment, rubbing non-uniformity caused by the thickness of the spacer pattern 80 can be solved. The present invention can be applied to an alignment layer composed of any material without being limited to the above-described material. In addition, if a heating process is included in a manufacturing process to fit a free tilt angle, the alignment layers 66 and 67 should include polyurethane as in the first embodiment. Moreover, like the first embodiment, the first substrate 63 and the second substrate 61 are bonded together, the liquid crystal is filled between the first substrate 63 and the second substrate 61, and polarizers 72 and 70 are placed on the first substrate 63 and the second substrate 61.

**(Embodiment 2)**

The following experiment is carried out using the TN LCD device. Like the first embodiment, after the TFT-TN LCD module is completed by installing the driver LSI52 in the TN LCD device, the square wave electric signal of 60Hz is input to the TFT-TN LCD module, a diffused light is irradiated from the second substrate 61, and pixels are displayed to measure the characteristics of the pixels. As a result, uniform display is obtained over the entire display screen and luminance non-uniformity caused by rubbing non-uniformity does not occur around the spacer pattern 80. As such, it can be seen that the present invention can be applied when the first substrate 63 and the second substrate 61 are composed of organic high polymer materials.

**(Third embodiment)**

In this embodiment, the present invention is applied to a super twisted nematic (STN) liquid crystal panel driven by a simple matrix driving method. This embodiment is the same as the first embodiment and the second embodiment

except for retardation plates 70 and 71 and a mixed liquid crystal composition 65. The first substrate 63 and the second substrate 61 are composed of glass and have a thickness of 0.5mm. Transparent electrodes 64 and 64 are placed on the first substrate 63 and the second substrate 61, respectively.

5           The alignment layer 67 is formed on the surface of the first substrate 63. The alignment layer 67 is made of the polyimide alignment layer 66 (PSI-2104 from Japan Nitrogen Corporation) and is treated at 200°C for 2 hours. The alignment layer 67 comes to have a thickness of 60µm after being hardened. The surface of the alignment layer 67 is rubbing-aligned by a rubbing rayon fabric  
10           rolled around a roller. By rubbing-aligning the alignment layer 67 on the first substrate 63, molecules of the liquid crystal can be aligned in a single axis direction in an interface of the alignment layer 67. By arranging the molecules of the liquid crystal in a single axis direction, a uniform free tilt angle can be generated in the alignment layer 67. However, since the spacer pattern 80 is not  
15           formed in the alignment layer 67, rubbing non-uniformity caused by the thickness of the spacer pattern 80 does not occur.

          The bank spacer pattern 80 having a height of 7 micron and a width of 20 micron is formed on the second substrate 61 to surround an area where the transparent column 62 and the transparent row electrode 64 cross each other. A  
20           material of and a method for manufacturing the spacer pattern 80 are the same as in the second embodiment. Like the second embodiment, the alignment layer 67 that is not rubbing-aligned is formed on the first substrate 63 on which the spacer pattern is formed. Thus, it is possible to address a rubbing non-uniformity problem caused by the thickness of the spacer pattern 80. In addition, if a  
25           heating process is included in a manufacturing process to fit a free tilt angle, the

alignment layers 66 and 67 should include polyurethane as in the first embodiment.

A liquid crystal 65 has a positive refractive index isotropy  $\Delta n$  and  $\Delta n$  is 0.122. A twist angle  $\theta$  of the molecules of the liquid crystal 65 is  $240^\circ$ , and a mixed liquid crystal composition 30 in which a chiral liquid crystal is mixed to make a spiral pitch of the liquid crystal 65 equal to  $10.5\mu\text{m}(p=(360/\theta) \times d)$  is used. In this embodiment of the present invention, the mixed liquid crystal composition 65 is made by adding CB-15 from BDH Company of 0.63% weight to the liquid crystal. In addition, considering improvement in the uniformity of an STN device and easiness to manufacture, it is preferable that a cell thickness  $d$  is large and is generally between  $5 - 7\mu\text{m}$ . Thereafter, the molecules of the liquid crystal do not depend on liquid crystal anchoring force of the alignment layer that is not rubbing-aligned and are properly twisted like in the first and second embodiments. Polarizing plates that are the same as in the second embodiment are attached to the first substrate 63 and the second substrate 61. Retardation plates 69 and 71 are attached to the polarizing plates for optical compensation of the simple matrix liquid crystal panel.

### (Embodiment 3)

The following experiment is carried out using an STN LCD device 4. Like Embodiment 1, after a PM(simple matrix)-STN LCD module is completed by installing the driver LSI52 in the STN LCD device 4, a square wave electric signal of 60Hz is input to the PM-STN LCD module, a diffused light is irradiated from the second substrate 63, and pixels are displayed to measure the characteristics of the pixels. As a result, uniform display is obtained over the entire display screen and luminance non-uniformity caused by rubbing non-uniformity does not occur

around the spacer pattern 80. Therefore, the present invention can also be applied to the STN LCD device 4.

The foregoing embodiments are applied to a liquid crystal panel driven by an active matrix driving method and an STN liquid crystal panel driven by a simple matrix driving method, but the present invention can also be applied to a diode-type(MIM) liquid crystal panel.

#### **[Effects of the Invention]**

Since an LCD device according to the present invention uses a spacer pattern, it is possible to accurately control the position of a spacer and constantly control the height of the spacer in consideration of an uneven portion on a substrate. In addition, since an alignment layer that is not rubbing-aligned is formed on a second substrate on which the spacer pattern is formed, rubbing non-uniformity does not occur on the second substrate. Therefore, unlike a conventional case where alignment layers that are rubbing-aligned on a pair of transparent electrode substrates are used, non-uniformity of rubbing-alignment (rubbing non-uniformity) caused by the thickness of a spacer pattern does not occur and an LCD device having high display precision can be obtained. Furthermore, since it is not necessary to use a spacer pattern in which predetermined slopes are formed in side walls unlike prior art, a gap between substrates can be securely formed while a portion that supports substrates is not narrowed down.

In a method for manufacturing an LCD device according to the present invention, since a rubbing alignment process is not necessary in a substrate on which a spacer pattern is formed, rubbing non-uniformity caused by the

thickness of a spacer pattern does not occur and an LCD device having high display precision can be obtained. Moreover, since it is unnecessary to use a spacer pattern in which predetermined slopes are formed in side walls unlike prior art, an LCD device having high display precision can be obtained through a simple process.

**[Description of Drawings]**

FIG. 1 is a schematic cross-sectional view of an LCD device according to a first embodiment of the present invention.

FIG. 2 is a plan view illustrating a state where a spacer pattern is formed according to the first embodiment of the present invention.

FIG. 3 is a plan view of an LCD module according to the first embodiment of the present invention.

FIG. 4 is a schematic perspective view of an LCD device according to a second embodiment of the present invention.

FIG. 5 is a cross-sectional view of the LCD device according to the second embodiment of the present invention.

FIG. 6 is a schematic perspective view of an LCD device according to a third embodiment of the present invention.

FIG. 7 is a cross-sectional view of the LCD device according to the third embodiment of the present invention.

**[Explanation on Numerals]**

30, 65: Liquid crystal (Mixed liquid crystal composition)

31: Alignment layer (on a Second substrate)

32: Alignment layer (on a First substrate)

**33: Common electrode (on a Second substrate)**

**34: Pixel electrode (on a First substrate)**

**35, 61: Second substrate**

**36, 63: First substrate**

5 **37, 38: Polarizing plate**

**42: Transistor unit (TFT)**

**43, 80: Spacer pattern (Black resin layer)**

**51, 68: sealant**

**52: Driver LSI**

10 **62: Column electrode**

**64: Row electrode**

**66, 67: Alignment layer**

**69, 71: Retardation plate**

**70, 72: Polarizing plate**

(19) 日本国特許庁 (J P)

(12) 公開特許公報 (A)

(11) 特許出願公開番号

特開2001-209052

(P2001-209052A)

(43) 公開日 平成13年8月3日(2001.8.3)

(51) Int.Cl. <sup>7</sup>	識別記号	F I	テームト(参考)
G 0 2 F 1/1339	5 0 0	C 0 2 F 1/1339	5 0 0 2H088
1/139		1/137	5 0 5 2H089

審査請求 未請求 請求項の数 2 O L (全 10 頁)

(21) 出願番号 特願2000-14545(P2000-14545)

(22) 出願日 平成12年1月24日(2000.1.24)

(71) 出願人 000005821

松下電器産業株式会社

大阪府門真市大字門真1006番地

(72) 発明者 望月 秀晃

大阪府門真市大字門真1006番地 松下電器

産業株式会社内

(74) 代理人 100105809

弁理士 木森 有平

Fターム(参考) 2H088 FA02 GA17 HA03 HA08 JA05

JA13 KA12 LA04 MA04 MA17

2H089 HA29 LA10 MA03X NA01

NA21 QA14 QA15 RA05 RA10

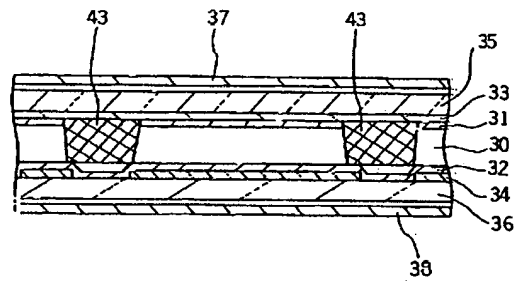
SA17 TA04 TA09

(54) 【発明の名称】 液晶表示装置及びその製造方法

(57) 【要約】

【課題】 ラビング配向処理の不均一による問題を解消するためにラビング配向処理の工程を削減しながらも、表示精度の高い液晶表示装置の製造方法を提供する。

【解決手段】 第1の基板側36に配向膜32を形成した後ラビング配向処理する工程と、第2の基板側35にスペーサバタン43を形成する工程と、ラビング配向処理しない配向膜31を形成する工程と、螺旋ピッチpが $p = (360/\theta) \times d$  (但し、 $\theta$ は液晶分子のネジレ角度を表す) の関係を満たすようにカイラル材を添加した液晶30を注入する工程とを備える。



30 液晶 (混合液晶組成物)	35 第2の基板
31 配向膜	36 第1の基板
32 配向膜	37, 38 偏光板
33 共通電極	43 スペーサバタン
34 面素電極	

## 【特許請求の範囲】

【請求項1】 対向する第1の基板と第2の基板との間に液晶が挟持されると共にスペーサバタンによって両基板間のセル厚を形成する液晶表示装置において、

第1の基板側に、ラビング配向処理した配向膜が形成され、

第2の基板側に、スペーサバタンがセル厚dで形成されるとともに、配向膜がラビング配向処理しないで形成され、

液晶は、螺旋ピッチpが $p = (360/\theta) \times d$  (但し、 $\theta$ は液晶分子のネジレ角度を表す) の関係を満たすようにカイラル材が添加されていることを特徴とする液晶表示装置。

【請求項2】 対向する第1の基板と第2の基板との間に液晶が挟持されると共にスペーサバタンによって両基板間のセル厚を形成する液晶表示装置の製造方法において、

第1の基板側に配向膜を形成した後ラビング配向処理する工程と、第2の基板側にスペーサバタンを形成する工程と、ラビング配向処理しない配向膜を形成する工程と、螺旋ピッチpが $p = (360/\theta) \times d$  (但し、 $\theta$ は液晶分子のネジレ角度を表す) の関係を満たすようにカイラル材を添加した液晶を注入する工程とを備えることを特徴とする液晶パネルの製造方法。

## 【発明の詳細な説明】

## 【0001】

【発明の属する技術分野】本発明は、所定の厚さを有するスペーサバタンによってセル厚を形成する液晶表示装置及びその製造方法に関するものである。

## 【0002】

【従来の技術】液晶の光学異方性を応用した液晶表示装置として、薄膜トランジスタ(以下、TFT)や二端子素子などのアクティブ素子により液晶パネルを駆動させるアクティブマトリクス駆動方式と、対向する基板の各々に有するストライプ状の透明電極が互いに直交するように配置され、透明電極の交差する領域の液晶分子をアクティブ素子を用いずに駆動させる単純マトリクス駆動方式とがある。前者のアクティブマトリクス駆動方式では、対向する基板間で液晶分子が $90^\circ$ ねじれたツイステッドネマチック(以下、TN)液晶パネルが多く用いられ、後者の単純マトリクス駆動方式では、対向する基板間で液晶分子が $180^\circ \sim 270^\circ$ ねじれたスーパーツイステッドネマチック(以下、STN)液晶パネルが多く用いられる。

【0003】各種液晶パネルでは、応答速度やコントラストや視野角が液晶層の厚み(以下、「セル厚」又は「ギャップ」という)に依存することが知られており、特に、高いコントラストを得るためには、セル厚を高度に制御しなければならない。例えば、アクティブマトリクス駆動方式の液晶パネルでは、第1の基板と第2の

基板との間に液晶が封入されるが、スペーサによってセル厚が決められる。液晶パネルの製造方法としては、対向する両基板に各々配向膜を塗布した後、配向膜をラビング配向処理して、一方の基板にはシール剤を塗布し、第2の基板にはスペーサを散布した後、両基板を貼り合わせるということが一般的に行われる。液晶を両基板間に注入する方法としては、両基板を貼り合わせた後液晶を注入する方法と、液晶を滴下してから両基板を貼り合わせる方法も使用される。なお、対向する基板としては、ガラス基板が一般的に使用されているが、情報機器の携帯用途への展開が進むにつれて、より軽量化を進めるため、有機高分子材料(プラスチック)を基材とするディスプレイも実用化が進んできた。ただ、基板のプラスチック化は、画質の均一性とは相反する要素が多い。

【0004】スペーサの材質としては、ロッド状のグラスファイバや球状のプラスチック粒などが使用され、基板の上方から前記スペーサ粒子を散布することによって、基板上の任意の位置にスペーサを分散させる方法が一般的である。しかし、このスペーサ散布方法では、以下の原因によりスペーサ粒子散布の不均一やギャップ不均一が発生していた。すなわち、①静電気によりスペーサ粒子が凝集すること、②散布時に使用するスペーサ分散液が基板上に落下するため、基板上のスペーサ粒子の分散が不均一になること、③スペーサ粒子の大きさにばらつきがあること、④基板表面はTFTや電気回線等がパターンニングされており、基板上に凹凸部があるため、同一の大きさのスペーサ粒子を使用しても散布位置によってギャップが異なること等である。

【0005】このような問題を解決するために、オフセット印刷法等を利用して基板間のギャップを形成する液晶パネルが提案されている。これは、従来のスペーサ分散方法を使用するものとは異なり、スペーサ粒子を使用することなく、基板上の所定の位置に所定の厚さを有するスペーサバタンを直接形成することにより両基板間のギャップを形成している。アクティブマトリクス駆動方式の液晶パネルでは、一対の透明電極付き基板のうち一方の基板の透明電極表面に、スペーサバタンがセル厚で形成されるとともにラビング配向処理が行われる配向膜が形成される一方、スペーサバタンが形成されていない側の第2の基板の基板側にも、配向膜が塗布されるとともにラビング配向処理される。また、両基板表面の配向膜は両配向膜のラビング方向が $90^\circ$ になるようにラビング配向処理するため、封入されている液晶は配向膜の配向規制力により界面においてラビング方向に配向し、 $90^\circ$ のねじれを形成している。また、液晶は配向膜の界面において一軸方向に配向することによりアレトル角も一定に発生している。

## 【0006】

【発明が解決しようとする課題】しかしながら、スペーサバタンを形成する方法では、電極にスペーサバタンを



形成した後にラビング配向処理するため、スペーサバタンの段差の陰になる部分では十分なラビング配向処理ができない問題があり、そのため、均一で欠陥のない液晶分子の配向状態を得ることは困難であった。すなわち、液晶分子は、ラビング方向に沿った配向を示すが、配向膜がラビングされない部分では配向膜の液晶分子の配向規制力が発揮されず、配向不良が生じる。配向が不十分な領域では、複数の異なった配向の領域が存在することとなり、それぞれの領域の境界では液晶分子の配向状態が不連続なディスクリネーションが発生し、光ぬけとなる。つまり、配向が十分な領域では、中間電圧下で全面が同じ配向状態で暗くなるが、配向が不十分な領域では、部分的に光ぬけが生じたり、暗部と明部とが隣接して存在するような輝度ムラの状態が発生する。

【0007】このラビングむらの問題を解決するために、スペーサバタンの段差の側面壁に一定の傾きを設ける方法が提案されている（特開平6-273735号公報参照）。この傾きによってスペーサバタンの段差の陰になる部分にもラビング配向処理が行うことができるが、この方法では、スペーサバタンの側面壁に傾きを設けるための工程が必要であり、かつ、その角度は所定の角度以下であることを必要とするため、高い精度の制御を必要とする。また、スペーサバタンの両側壁に一定の傾きを設けることは、スペーサバタンの基板に接する面積が小さくなり、基板間のギャップの確保が十分でなくなるおそれが生じ得る。

【0008】なお、ラビングにより配向処理すると、摩擦による静電気が発生し、配向膜に絶縁破壊が起きたり、その部分の配向不良によって表示不良の原因となる場合がある。また、ラビング配向処理すると、液晶分子の配向方向が一樣なために、画面を見たときの表示が見やすい角度が特定の角度範囲に制限されるという、いわゆる視野角依存性を持つことが知られている。

【0009】そこで、本発明の第1の目的は、スペーサバタンによって基板間のセル厚を形成する液晶表示装置において、ラビング配向処理の不均一による表示ムラを解消し、液晶表示の均一性を向上させる液晶表示装置を提供することを目的とする。また、本発明の第2の目的は、ラビング配向処理の不均一による問題を解消するためにラビング配向処理の工程を削減しながらも、表示精度の高い液晶表示装置の製造方法を提供することにある。

【0010】

【課題を解決するための手段】本発明の請求項1記載の液晶表示装置は、対向する第1の基板と第2の基板との間に液晶が挟持されると共にスペーサバタンによって両基板間のセル厚を形成する液晶表示装置において、第1の基板側に、ラビング配向処理した配向膜が形成され、第2の基板側に、スペーサバタンがセル厚dで形成されるとともに、配向膜がラビング配向処理しないで形成さ

れ、液晶は、螺旋ピッチpが $p = (360/\theta) \times d$ （但し、 $\theta$ は液晶分子のネジレ角度を表す）の関係を満たすようにカイラル材が添加されていることを特徴とする。

【0011】本発明によれば、液晶は螺旋ピッチpが $p = (360/\theta) \times d$ の関係を満たすようにカイラル材が添加されることで、第2の基板の配向膜の配向規制力によらずとも液晶分子の適切なねじれが形成される。また、スペーサバタンが形成されていない第1の基板側にはラビング配向処理した配向膜が形成されており、その配向膜の界面において液晶分子を一軸方向に配向させることができる。一方、スペーサバタンが形成される第2の基板表面にはラビング配向処理しない配向膜が形成されるため、第2の基板側ではスペーサバタンの厚さの不均一によるラビングむらの問題が生じることがない。

【0012】他方、請求項2記載の液晶表示装置の製造方法は、対向する第1の基板と第2の基板との間に液晶が挟持されると共にスペーサバタンによって両基板間のセル厚を形成する液晶表示装置の製造方法において、第1の基板側に配向膜を形成した後ラビング配向処理する工程と、第2の基板側にスペーサバタンを形成する工程と、ラビング配向処理しない配向膜を形成する工程と、螺旋ピッチpが $p = (360/\theta) \times d$ （但し、 $\theta$ は液晶分子のネジレ角度を表す）の関係を満たすようにカイラル材を添加した液晶を注入する工程とを備えることを特徴とする。

【0013】この方法によれば、スペーサバタンが形成される第2の基板側では、スペーサバタンに配向膜を形成するが、配向膜をラビング配向処理しないため、第2の基板側ではラビング配向処理が不要になる。したがって、ラビング配向処理の不均一の問題が発生することがなくなる。一方、スペーサバタンが形成されない第1の基板側では、ラビング配向処理した配向膜が形成されるために、配向膜の界面において液晶分子を一軸方向に配向させることができる。また、螺旋ピッチpが $p = (360/\theta) \times d$ （但し、 $\theta$ は液晶分子のネジレ角度を表す）の関係を満たすようにカイラル材を添加した液晶を注入するために、第2の基板側の配向膜をラビング配向処理しなくとも液晶分子の適切なねじれが形成される。

【0014】

【発明の実施の形態】以下、本発明の一実施の形態を図面を参照して詳細に述べる。

【0015】（第1の実施の形態の液晶表示装置の構成）本実施の形態の液晶表示装置は、TFT方式のアクティブマトリックス駆動方式の液晶表示装置に本発明を適用したもので、図1乃至図3に示すように、第1の基板36には、マトリクス状に配置されるTFT42、画素電極34、配向膜32が形成される一方、第2の基板35には、対向電極31上にスペーサバタン43が形

成されている。第1の基板36と第2の基板35とは、その間に液晶30を挟持し、その両外側に偏光板37、38を配している。

【0016】第1の基板36は、横253mm、縦190mmのサイズであり、図2の平面図に示すように、第1の基板36上には、TFT42と、TFT42のソース、ドレイン、ゲートの各電極配線（図示せず）や画素電極34が配されている。画素電極34は、インジウム・錫酸化物（以下、ITO）薄膜を用いた透明電極であり、画素電極34での電界のスイッチングを各画素毎に形成したTFT42で制御する。画素のピッチは、行方向300ミクロンで600本、列方向100ミクロンで2400本であり、画素間スペースは縦・横ともに15ミクロンである。

【0017】配向膜32は、ポリイミド材料で、日本合成ゴム株式会社製オプトマーAL1254を使用している。200°Cで1時間加熱乾燥した後の厚さは50nmであり、通常のリビング方法により配向処理が施されている。配向膜32をリビング配向処理することによって、配向膜32の界面において液晶分子を一軸方向に配向させることができる。また、液晶分子を一軸方向に配向させることにより配向膜32においてプレチルト角を一定方向に発現させることができる。

【0018】一方、第2の基板35は、横248mm×縦187mmのサイズであり、第2の基板35の全面にはパターン化していないITO33が形成されている。ITO33上には、厚さ5.1μmの黒色感光性ポリイミド材料によるスペーサバタン43が形成され、画素電極34側の第1の基板36と第2基板35との間に挟持されることによって両基板35、36間のギャップ（セル厚d）を形成している。なお、第1の基板36と第2の基板35は、ガラスが使用されている。

【0019】スペーサバタン43は、図2に示すように画素電極34に相当する部分以外の全部分において厚さ5.1μmに形成されている。このように画素電極34に相当する部分のみを開口するように、画素電極34に相当する部分以外の部分にスペーサバタン43を柵状に形成するのは、スペーサバタン43によって照射される光が遮られることによる輝度むら等の発生を防ぐためである。リビング配向処理しないため、従来のスペーサバタンをそのまま使用し成形すれば、基板上的凹凸部を考慮してスペーサの位置を正確に制御できるとともに、スペーサの高さを一定に制御できる。

【0020】スペーサバタン43の材料としては、黒色感光性ポリイミドが使用されている。画素電極以外で生じる光り抜けを防止するブラックマトリックスの効果をも発揮する点で黒色材料を使用することが好ましい。スペーサによる光漏れや光の遮断がなく、このため液晶パネルとしてのコントラストや透過率の向上が図られるからである。このようなスペーサバタン43としては、ポ

リイミドとポリウレタンとを混合した材料を使用しても良い。ただし、スペーサバタン43としては、液晶30や配向膜との反応性がないものであり、両基板間のセル厚dを形成できるものであっても良い。

【0021】スペーサバタン43は、画素電極34に相当する部分以外の全部分に形成する必要はなく、画素電極34に相当する部分以外であれば一部にのみ形成しても良い。ただし、画素電極34に相当する部分以外の一部にのみ形成するよりも、画素電極34以外の全部分に形成することが好ましい。両基板35、36のギャップをより確実に形成することができるためであり、また、スペーサバタン43に黒色樹脂素材を使用することにより、画素電極34以外の部分の光抜けをより広い範囲で防止することができるためである。

【0022】スペーサバタン43が形成された第2の基板35の表面には、配向膜31が形成されている。配向膜31は、その厚さが20nmであり、ウレタン樹脂MS-5510（ガラス転移温度 $T_g=63^\circ\text{C}$ 、三菱重工製）を10重量%混合したオプトマーAL1254の希釈液（固形分濃度2%）を塗布することにより形成されている。配向膜31にはリビングなどの配向処理が施されていない。これは、スペーサバタン43の厚さによるリビングむらの問題を解消するためである。なお、リビング配向処理を行なうと、静電気が発生し配向膜に絶縁破壊が起きたりするが、本発明によれば、リビング配向処理が不要なためこのような問題は発生しない。

【0023】配向膜31、32には、ポリウレタンが一成分として含まれている。これは、流動配向による表示ムラを解消する目的で、液晶分子を配向方向に再配列させるためである。つまり、配向膜31は、リビングされていないため、配向膜31、32の間に液晶を注入すると、配向膜表面では注入時の液晶の流動方向に液晶分子が配向してしまう。これを流動配向と呼び、表示ムラの原因となっている。この表示ムラを解決するためには、流動配向した液晶分子を一軸方向に再配向させる必要がある。しかし、一旦配向した液晶分子は、液晶と配向膜の界面において配向膜分子に強く捕捉されている。そこで、一旦配向膜に強く補足された液晶分子を解放する必要があるが、これには配向膜分子と液晶分子の両者の熱運動を活発にすることが効果的である。配向分子の熱運動が活発になるのはポリウレタンのガラス転移温度以上であり、液晶分子の熱運動が活発になるのは液晶のネマチックアイソトロピック転移温度以上である。したがって、ポリウレタンを一成分として含む配向膜を使用し、両基板を張り合わせた後に液晶パネルをポリウレタンのガラス転移温度以上かつ液晶のネマチックアイソトロピック転移温度以上に一定時間加熱すると、液晶と配向膜の界面における液晶分子及び配向膜分子の分子運動が盛んになり、吸着されていた液晶分子の動きが活発となる。その後、温度を下げていくと、リビングした一

致方向の配向膜面で規制された配向方向に液晶が固定された状態で、液晶分子の再配列が起こり、全面にわたって均一な配向となる。また、この処理によって、液晶分子のプレチルト角が変化し、基板面内での平均的なプレチルト角に揃うようになる。特に、第2の基板36側では、配向膜31がラビング配向処理されておらず、配向膜31の界面において配向方向に乱れが生じやすいことでプレチルト角が変動しやすいため、この処理が有効となる(特開平9-244030号参照)。したがって、本実施の形態の配向膜31、32にはポリウレタンが一成分として含まれている。

【0024】前記両基板35、36は、シール材料51によって張り合わせられており、両基板間35、36には液晶30が封入されている。シール材料51は、5.1 $\mu$ mの直径のガラスビーズを1重量部混合した紫外線硬化性樹脂を材料とし、第2の基板35の周辺部に横246mm、縦185mmの長方形にディスプレイを用いて塗布されている。また、両基板35、36には、一方方向に振動する光のみを通過させ、表示画面に光を照射する偏光板37、38が設置されている。

【0025】液晶30は、正の屈折率異方性( $\Delta n$ )をもち、 $\Delta n$ 値は0.98である。また、液晶分子のねじれ角 $\theta$ は90度であり、液晶の螺旋ピッチが20 $\mu$ m( $p = (360/\theta) \times d$ )になるようにカイラル液晶を混合した混合液晶組成物30が使用されている。すなわち、液晶30は、螺旋ピッチ $p$ が $p = (360/\theta) \times d$ の関係を満たすようにカイラル材が添加されている。本実施の形態における混合液晶組成物30はBDH社のCB-15を液晶に0.33重量%添加している。このように処理した液晶分子は、配向膜31の液晶配向規制力に頼ることなく、自然に適正なねじれを形成する。具体的には、カイラル液晶を混合していない液晶を使用する場合は、液晶分子が適正なねじれを形成するために、両配向膜を所定の方向にラビングする必要があるが、本発明ではカイラル液晶を混合した混合液晶組成物を使用しているため、第1の基板36側の配向膜31がラビング配向処理していなくても適正なねじれを形成する。

【0026】ここで、第1の基板36側に、スペーサバタン43を形成するとともにラビング配向処理しない配向膜31を形成する一方、第2の基板35側に、ラビング配向処理した配向膜32が形成されるようにしても良い。この場合は、画素電極34、TFT42を形成した第1の基板36上において、画素電極34以外の部分に形成する。このように形成すると、第2の基板36側にTFT42や電極ライン等が形成されているために、これらを静電気による影響から避けることができるとともに、いわゆる視野角依存性の改善も図られる。

【0027】(第1の実施の形態の液晶表示装置の製造方法)次に、第1の実施の形態の液晶表示装置の製造方

法について説明する。

【0028】図2の平面図に示すように、第2の基板36上にTFT42と電極配線及び画素電極34を形成した後、画素電極34の表面に配向膜32を乾燥後の厚さが50nmになるように印刷塗布し、200°Cで1時間加熱乾燥させる。配向膜32の配向材料は、ポリイミド材料で、日本合成ゴム株式会社製オプトマーAL1254である。配向膜32には乾燥後に一般的な回転ラビング方法により配向処理を施せば足りる。

【0029】一方、第2の基板35には、全面にパターン化していないITOベタ電極33を形成し、その上にスペーサバタン44を黒色感光性ポリイミド43が厚さ5.1 $\mu$ mになるように形成する。スペーサバタン43は、黒色樹脂層をパターン化したもので、図2の画素電極34に相当する部分のみが開口したマスクを用いて紫外線を照射した後、現像し、未硬化の感光性ポリイミドを除去することにより画素電極34に相当する部分以外に柵状に形成する。スペーサバタン43は、前記形状に限らず、両基板35、36のギャップを形成でき、かつ画素電極34を隠すことによって照射光を遮ることのない形状であれば良い。したがって、従来の特開平6-273735号公報のように、ラビングむらを防止するために、スペーサバタン43の側面壁に一定の傾きを設けるための工程は必要ない。

【0030】次いで、第2の基板35側に、ウレタン樹脂MS-5510( $T_g = 63^\circ C$ 、三菱重工業製)を10重量%混合したオプトマーAL1254の希釈液(固形分濃度2%)を塗布し、20nm厚の配向膜31を形成するが、この配向膜31にはラビング配向処理などの配向処理を施していない。ラビング配向処理を施さないことにより、従来のラビングむらによる問題は発生せず、なおかつ、ラビング配向処理の工程を削減することができる。次いで、貼り合わせ後にシール幅が0.5mmになるように量を調整したシール材料51を第1の基板36の周辺部に塗布した。

【0031】次に、液晶分子のねじれ角 $\theta$ は90度であり、液晶の螺旋ピッチが20 $\mu$ m( $p = (360/\theta) \times d$ )の関係を満たすようにカイラル液晶を混合し、混合液晶組成物30を製造した(但し、 $\theta$ は液晶分子のネジレ角度を表す)。本実施の形態ではBDH社のCB-15を液晶に0.33重量%添加して混合液晶組成物30を製造している。なお、液晶分子は正の屈折率異方性( $\Delta n$ )をもち、 $\Delta n$ 値は0.98である。その後、第2の基板36上に必要量の混合液晶組成物30を滴下し、前記処理を施した両基板35、36を減圧(100パスカル)下で貼り合わせた。本実施例では、画素電極34に相当する部分以外の全部分にスペーサバタン43を形成したため、スペーサバタン43が各画素電極34を隔絶するように柵状に形成されている(図2)。したがって、例えば両基板を張り合わせた後に液晶注入

口から液晶を注入する方法によると、スペーサパタン43によって液晶注入口と隔絶されている画素部分には液晶30が注入できない。各画素部分にむらなく液晶30を封入するには、本実施の形態のように液晶30を第2の基板36上に滴下した後、両基板を張り合わせる必要がある。この方法によれば、スペーサパタン43は各画素を隔絶するように柵状に形成されているが、液晶30を滴下した後に両基板を張り合わせることで、各画素上に液晶30を隙間なく広げることができる。また、真空注入法のように液晶注入口の近傍でのむらの問題もない。次いで、液晶30が基板35、36間に充填された後、周囲を紫外線硬化樹脂で封じた。

【0032】ただし、本発明は前記液晶封入方法に限るのではなく、液晶30を両基板間にむらなく封入できる方法であれば良く、したがって、スペーサパタン43を一部に形成する場合のようにスペーサパタン43により隔絶される部分がない場合には、一般的な液晶注入口を残して基板35、36を貼り合わせた後、液晶30を注入する工程（真空注入法等）を行っても良い。

【0033】前記工程によって製造された液晶パネル全体を120°Cで12時間、加熱放置した。加熱放置することによって、混合液晶組成物30の液晶分子の配向が良好になるためである。ここで、配向膜がポリウレタンを少なくとも一成分として含むポリイミド樹脂とし、液晶を両基板に保持する工程の後、パネルをポリウレタンのガラス転移温度(Tg)以上且つ、液晶のネマチック-アイソトロピック転移温度以上に加熱する。これは、液晶分子を配向方向に再配列させるためである。ラビングしていない配向膜の間に液晶を注入すると、配向膜表面では注入時の液晶の流動方向に液晶分子が配向してしまう（「流動配向」）。この表示ムラを解決するためには、流動配向した液晶分子を一軸方向に再配向させる必要があるが、一旦配向した液晶分子は、液晶と配向膜の界面において配向膜分子に強く捕捉されている。一旦配向膜に強く補足された液晶分子を解放するには、配向膜分子と液晶分子の両者の熱運動を活発にすることが効果的である。配向分子の熱運動が活発になるのはポリウレタンのガラス転移温度以上であり、液晶分子の熱運動が活発になるのは液晶のネマチック-アイソトロピック転移温度以上である。したがって、ポリウレタンを一成分として含む配向膜を使用し、両基板を張り合わせた後に液晶パネルをポリウレタンのガラス転移温度以上且つ液晶のネマチック-アイソトロピック転移温度以上に一定時間加熱すると、液晶と配向膜の界面における液晶分子及び配向膜分子の分子運動が盛んになり、吸着されていた液晶分子の動きが活発となる。その後、温度を下げると、ラビングした一致方向の配向膜面で規制された配向方向に液晶が固定された状態で、液晶分子の再配列が起こり、全面にわたって均一な配向となる。また、この処理によって、液晶分子のプレチルト角が変化

し、基板面内での平均的なプレチルト角に揃うようになる（特開平9-244030号参照）。

【0034】したがって、本発明によれば、スペーサパタン43が形成されている基板側の配向膜においてラビング配向処理の工程を不要とするため、ラビング配向処理の工程を削減しつつ、表示精度を上げることができる。また、従来例の特開平6-273735号公報のように、ラビング配向処理を均一に行うためにスペーサパタン43の台形状の段差部分（側壁）を所定角度に成形する必要もないため、単純な工程でラビングむらの問題を解決することができる。

【0035】（実施例1）前記TN液晶表示素子を使用して以下の実験を行った。図3に示すように、TN液晶表示素子にドライバーLSI52を取り付け、TF-T-TN液晶表示モジュールを完成させた後、前記TF-T-TN液晶表示モジュールに60Hzの矩形波の電気信号を与えて、第2の基板36側から拡散光で照明し、各画素を表示させて特性を測定した。その結果、基板面に垂直な方向から測定したコントラスト値は最大100:1であった。ここでのコントラスト値とは、同一の画面での白の領域の輝度と黒の領域の輝度との比率であり、配向が完全であるほど黒の状態の輝度が低くなる。すなわち、遮光性が高くなる。そして、中間調表示の電圧をかけた状態で表示領域を観測したところ全面にわたって均一な表示状態を示しており、スペーサパタン43の周辺にもラビングむらに起因するような輝度ムラは発生しなかった。

【0036】（比較例1）比較例1はラビング配向処理を必要とする従来の液晶表示装置である。図4に模式的に示すように、配向膜32のラビング方向に対し90度になるように配向膜31をラビング配向処理されている。また、液晶材料は、ラビング配向処理された配向膜の液晶分子規制力によって配向する液晶組成物30である。ただし、一般的に行われているように、液晶分子のねじれの方向を一定にするために、少量（約P=16dとなる量）のカイラル剤を添加している。本比較例では液晶に対し約0.1重量%添加している。その他の点は実施例1と同様である。このTF-T-TN液晶表示モジュールに電気信号を与えて、第2の基板側から拡散光で照明し、全画素を中間調表示させたところ、部分的に輝度ムラのある表示となった。表示部のうち暗い領域を顕微鏡で反射観測したところ、スペーサパタン43が形成されている側の配向膜31には、スペーサパタン43の周辺にラビングされていない部分が多く存在していた。ラビングされていない部分では液晶分子が一軸方向に配向しておらず、プレチルト角も一定方向に発現していなかった。

【0037】実施例1と比較例1を比較検討する。比較例1では、スペーサパタン43の周辺に発生するラビングむらを原因として輝度むらが発生した。この原因とし

ては、カイラル材を混合していない通常の液晶組成物30を使用したことにもある。しかし、実施例1では、スペーサバタン43を形成した基板表面の配向膜はラビングが不要であるため、スペーサバタン43の厚さを原因とする輝度むらは発生せず、良好な表示精度が得られた。

【0038】(第2の実施の形態の液晶表示装置の構成)本実施の形態は、図4及び図5に示すように、第1の実施の形態と同様の大きさの第1の基板と第2基板63、61を用いるが、第1の基板と第2の基板63、61は材質がポリエーテルスルホンである。第2の基板61の表面には透明列電極62が配されている。透明列電極62は幅0.315mmであり、透明列電極62、62間のピッチは0.33mmである。一方、第1の基板63表面には、透明行電極64が配されている。透明行電極64は幅0.10mm、ピッチ0.11mmである。

【0039】両基板61、63の間には、第1の実施の形態と同一のネマチック液晶材料65が挟持されている。また、第2の基板61上には厚さ60nmのポリイミド型低温加熱性配向膜66が形成されている。配向膜66は、印刷塗布後、140°Cで2時間加熱処理することによって硬化させた後、ローラーに巻き付けたラビング用のレイオン布によってラビング配向処理されている。配向膜66をラビング配向処理することによって、配向膜66の界面において液晶分子を一軸方向に配向させることができる。なお、配向膜66にはスペーサバタン80が形成されていないため、スペーサバタン80の厚さによるラビングむらの問題は発生しない。

【0040】一方、図5に示すように、第1の基板63上には、透明列電極62と透明行電極64とが交差する領域を取り囲むように、高さ5.1ミクロン、幅20ミクロンの土手状のスペーサバタン80が形成されている。スペーサバタン80は、材料がアクリル系ネガ型黒色レジストであるが、第1の実施の形態と同様に前記材料に限定されない。また、黒色材料を使用すること、透明列電極62と透明行電極64とが交差する領域以外の全域に形成することが好ましい点、及び第2の基板61上に形成可能である点も、第1の実施の形態と同様である。

【0041】スペーサバタン80が形成された第1の基板63の表面には、配向膜67が形成されている。配向膜67は厚さが20nmであり、ウレタン樹脂MS-5510(ガラス転移温度 $T_g=63^\circ\text{C}$ 、三菱重工業製)を10重量%混合したポリイミド型低温加熱性配向膜の希釈液(固形分濃度2%)を塗布することにより形成されている。また、配向膜67にはラビング配向処理などの配向処理が施されていない。このため本発明によれば、実施例1と同様にスペーサバタン80の厚さによるラビングむらの問題を解消することができる。なお、

本発明は、前記配向膜の材料に限らず、材料を問わず適用可能である点、また、製造工程において、プレチルト角を描えることを目的として加熱処理する工程を含む場合は、配向膜67、66にはポリウレタンを一成分として含むことが必要である点は、第1の実施の形態と同様である。両基板61、63は張り合わせられ、両基板間には液晶が挟持されている点、及び両基板61、63には偏光板70、72が配されている点は第1の実施の形態と同様である。

【0042】(実施例2)上記TN液晶表示素子を使用して以下の実験を行った。実施例1と同様に、TN液晶表示素子にドライバーLSI52を取り付け、TN液晶表示モジュールを完成した後、前記液晶表示モジュールに60Hzの矩形波の電気信号を与えて、第2の基板61の側から拡散光で照明し、各画素を表示させて特性を測定した。その結果、全面にわたって均一な表示状態を示しており、スペーサバタン80の周辺にもラビングむらに起因するような輝度ムらは発生しなかった。したがって、本発明は、基板61、63が有機高分子材料であっても適用可能であることがわかる。

【0043】(第3の実施の形態)本実施の形態は、単純マトリックス駆動方式のスーパーツイステッドネマチック(STN)液晶パネルに本発明を適用した場合を示す。本実施の形態の構成は、図6及び図7に示すように、相位差板70、71を有する点、液晶混合組成物65以外は第1及び第2の実施の形態と同様である。また、第1及び第2の基板63、61は、ガラス基板であり、それらの厚さ0.5mmのものを使用した。なお、両基板63、61は、透明電極64、62が配されている。

【0044】第1の基板61の表面には、配向膜67が形成されている。配向膜67の材料はポリイミド配向膜(チッソ株式会社製PSI-2104)66であり、200°Cで2時間処理し、硬化した後の厚さは60 $\mu\text{m}$ である。表面にはローラーに巻き付けたラビング用のレイオン布によってラビング配向処理されている。第1の基板61側の配向膜67をラビング配向処理することによって、配向膜67の界面において液晶分子を一軸方向に配向させることができる。なおかつ、液晶分子を一軸方向に配向させることにより配向膜67においてプレチルト角を一定方向に発現させることができる。しかし、配向膜67にはスペーサバタン80が形成されていないため、スペーサバタン80の厚さを原因とするラビングむらの問題は発生しない。

【0045】一方、第2の基板72の表面には、透明列電極62と透明行電極64とが交差する領域を取り囲むように、高さ7ミクロン、幅20ミクロンの土手状のスペーサバタン80が形成されている。スペーサバタン80の材料及び形成方法は、第2の実施の形態と同様である。スペーサバタン80が形成された第1の基板63の

表面には、第2の実施の形態と同様に、ラビング配向処理が施されていない配向膜67が形成されている。したがって、スペーサパタン80の厚さによるラビングむらの問題を解消することができる。なお、本発明は、製造工程において、プレチルト角を揃えることを目的として加熱処理する工程を含む場合は、配向膜67、66にはポリウレタンを一成分として含むことが必要である点は、第1の実施の形態と同様である。

【0046】液晶65は、正の屈折率異方性( $\Delta n$ )をもち、 $\Delta n$ 値は0.122である。また、液晶分子のねじれ角 $\theta$ は240度であり、液晶の螺旋ピッチが10.5 $\mu\text{m}$  ( $p = (360/\theta) \times d$ ) になるようにカイラル液晶を混合した混合液晶組成物65である。本実施の形態における混合液晶組成物65はBDH社のCB-15を液晶に約0.63重量%添加してある。なお、STN素子の均一性の向上の観点と製造上の容易さから厚い方が望ましく、5~7 $\mu\text{m}$ が一般的なセル厚 $d$ となっている。前記処理を施した液晶分子は、第1及び第2の実施の形態と同様に、配向膜の液晶配向規制力に頼ることなく、自然に適正なねじれを形成する。両基板61、63には、第2の実施の形態と同様の偏光板が張り合わせられており、さらに、偏光板には単純マトリクス液晶パネルの光学補償用として位相差板69、71が張り合わせられている。

【0047】(実施例3)前記STN液晶表示素子4を使用して以下の実験を行った。実施例1と同様に、STN液晶表示素子にドライバーLSI52を取り付け、PM(単純マトリクス)-STN液晶表示モジュールを完成した後、前記PM-STN液晶表示モジュールに60Hzの矩形波の電気信号を与えて、第2の基板63の側から拡散光で照明し、各画素を表示させて特性を測定した。その結果、全面にわたって均一な表示状態を示しており、スペーサパタン80の周辺にもラビングむらに起因するような輝度ムラは発生しなかった。したがって、本発明はSTN液晶表示素子にも適用可能であることがわかる。

【0048】以上、各実施の形態では、アクティブマトリクス駆動方式の液晶パネルと単純マトリクス駆動方式STN液晶パネルに適用したもので説明したが、本発明はいわゆるダイオード方式(MIM)の液晶パネル等にも適用可能である。

【0049】

【発明の効果】本発明の液晶表示装置は、スペーサパタンを使用するために、液晶パネルの基板上の凹凸部を考慮してスペーサの位置を正確に制御できるとともに、スペーサの高さを一定に制御できる。また、スペーサパタンが形成される第2の基板表面にはラビング配向処理しない配向膜が形成されるため、第2の基板側ではラビングむらの問題が生じることがない。したがって、従来の一対の透明電極付き基板の両方にラビング配向処理

が施される配向膜が使用されるものとは異なり、スペーサパタンの厚さにより生じるラビング配向処理の不均一の問題(ラビングむら)が発生することがなく、表示精度の高い液晶表示装置を得ることができる。また、従来公報のように、側壁に所定の角度を設けたスペーサパタンを使用する必要がないため、基板を支える部分が狭くなることなく、基板間のギャップを確実に形成できる。

【0050】他方、本発明の液晶表示装置の製造方法は、スペーサパタンが形成されている基板側の配向膜においてラビング配向処理工程を不要とするため、スペーサパタンの厚さにより生じるラビング配向処理の不均一の問題が発生することがなく、表示精度の高い液晶表示装置を得ることができる。また、従来公報のように、側壁に所定の角度を設けたスペーサパタンを使用する必要がないため、簡単な工程で表示精度の高い液晶表示装置を得ることができる。

【0051】

【図面の簡単な説明】

【図1】本発明の第1の実施の形態の液晶表示装置の概略断面図である。

【図2】上記第1の実施の形態のスペーサパタンの形成状態を示す平面図である。

【図3】上記第1の実施の形態の液晶表示モジュールの平面図である。

【図4】本発明の第2の実施の形態における液晶表示装置の概略斜視図である。

【図5】上記第2の実施の形態における液晶表示装置の断面図である。

【図6】本発明の第3の実施の形態における液晶表示装置の概略斜視図である。

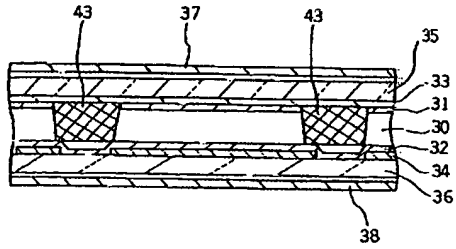
【図7】上記第3の実施の形態における液晶表示装置の断面図である。

【符号の説明】

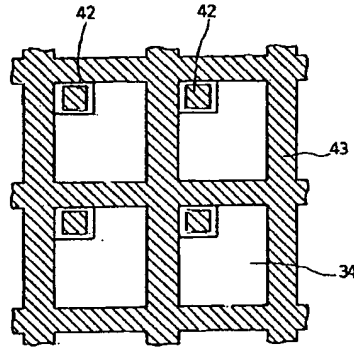
- 30, 65 液晶(混合液晶組成物)
- 31 配向膜(第2の基板側)
- 32 配向膜(第1の基板側)
- 33 共通電極(第2の基板側)
- 34 画素電極(第1の基板側)
- 35, 61 第2の基板
- 36, 63 第1の基板
- 37, 38 偏光板
- 42 トランジスタ部(TFT)
- 43, 80 スペーサパタン(黒色樹脂層)
- 51, 68 シール材料
- 52 ドライバーLSI
- 62 列電極
- 64 行電極
- 66, 67 配向膜
- 69, 71 位相差板

70, 72 偏光板

【図1】

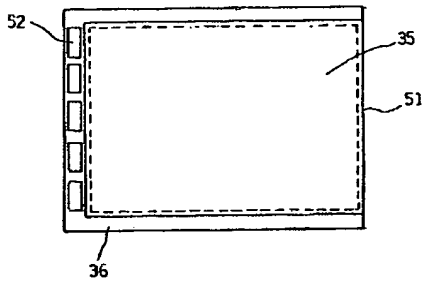


【図2】

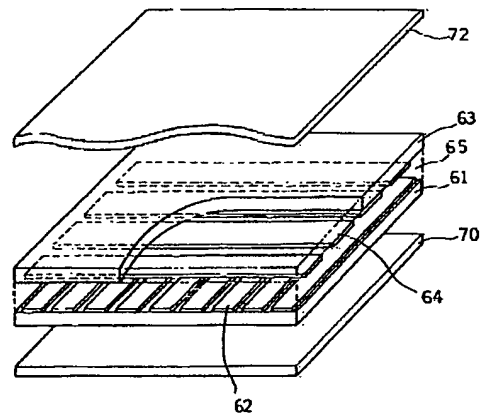


30 液晶 (混合液晶組成物)	35 第2の基板
31 配向膜	36 第1の基板
32 配向膜	37, 38 偏光板
33 共通電極	43 スペースリブタン
34 行電極	

【図3】

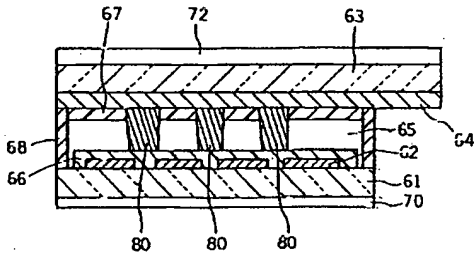


【図4】



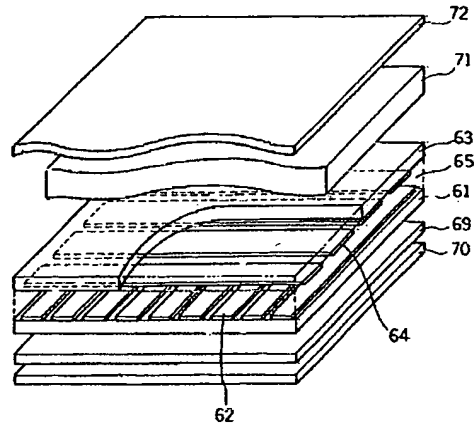
61 第2の基板	64 行電極
62 列電極	65 液晶
63 第1の基板	70, 72 偏光板

【図5】



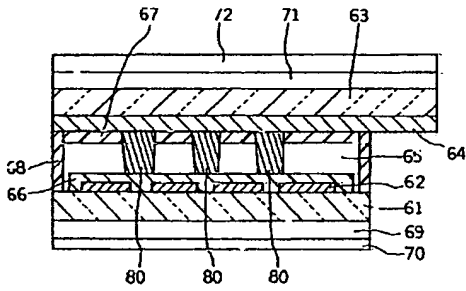
61 第2の基板	66, 67 配向膜
62 列電極	68 シール材料
63 第1の基板	70, 72 偏光板
64 行電極	80 スペースパタン
65 液晶	

【図6】



61 第2の基板	65 液晶
62 列電極	69, 71 位相遅延板
63 第1の基板	70, 72 偏光板
64 行電極	

【図7】



61 第2の基板	66, 67 配向膜
62 列電極	68 シール材料
63 第1の基板	69, 71 位相遅延板
64 行電極	70, 72 偏光板
65 液晶	80 スペースパタン